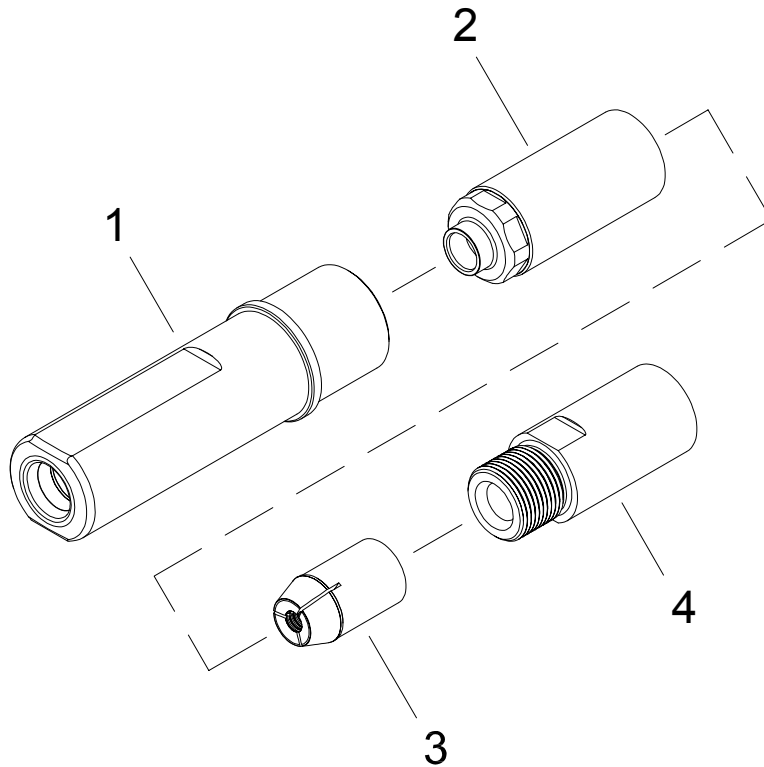
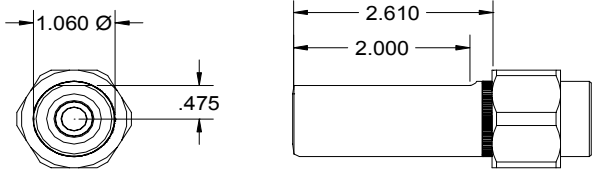


NOSE ASSEMBLY DATA SHEET



Rev. 7/05

GAGE BILT

GAGE BILT PRODUCTS CORP.

14500 Barber Drive (586) 771-7664
 Warren, Mi 48088 (586) 771-2665 Fax
 e-mail: solutions@gagebilt.com / www.gagebilt.com

Type:		Fastener:	Recommended Tool: GBP4801(A)
Non-Self-Releasing		BOM®	Alternate Tools: GBP4804
Ref. No.	Qty.	Description	BOM12-4801B-26
1	1	Anvil	11203
2	1	Collet	21225
3	1	Super-Grip Jaw Assembly	31023-S
8	1	Extension	71219